



Qubig GmbH  
Greimelstr. 26  
83236 Übersee  
Germany

tel: +49 8642 2449064  
fax: +49 8642 2447063

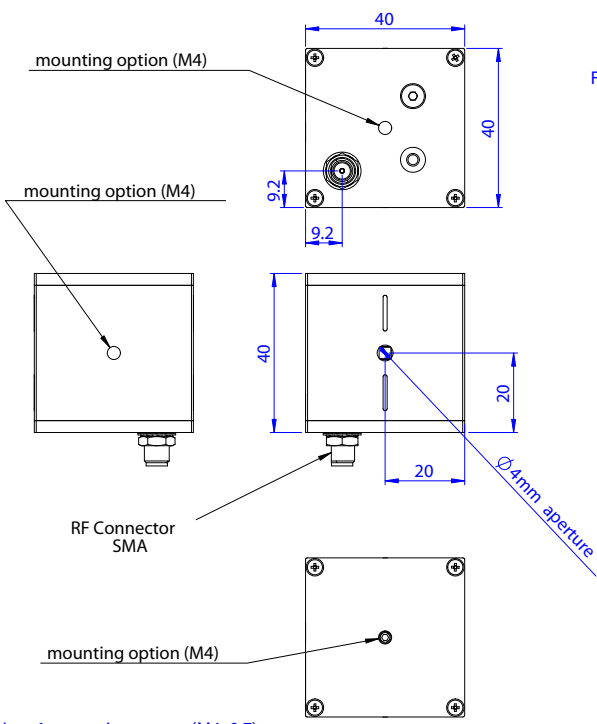
email: [oettl@qubig.de](mailto:oettl@qubig.de)  
web: [www.qubig.com](http://www.qubig.com)

## Test Data Sheet

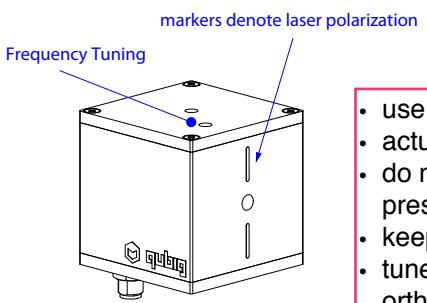
EO-Li7-3K  
S/N# \_\_\_\_\_

tunable, high-Q, resonant electro-optic phase modulator  
(tuned to 813 MHz)

Parameter	Value	Unit
Resonance Frequency	650 - 850	MHz
Bandwidth	~ 4	MHz
EO crystal	KTP	
Modulation Depth at 671nm	0.07	rad / Vpp
Damage Threshold	10	W/mm <sup>2</sup>
AR Coating	400 - 700	nm

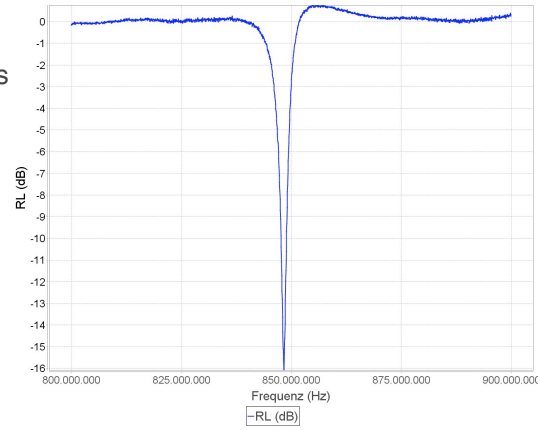


Note 1: mounting screws (M4x0.7) must not exceed 5mm length

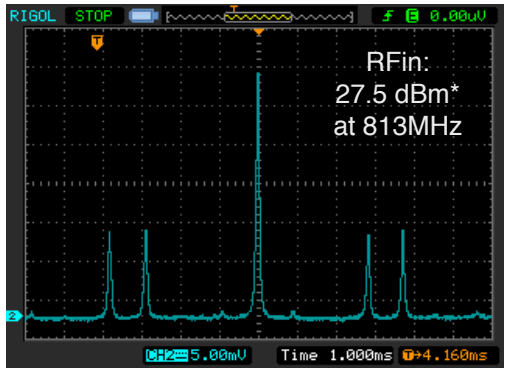
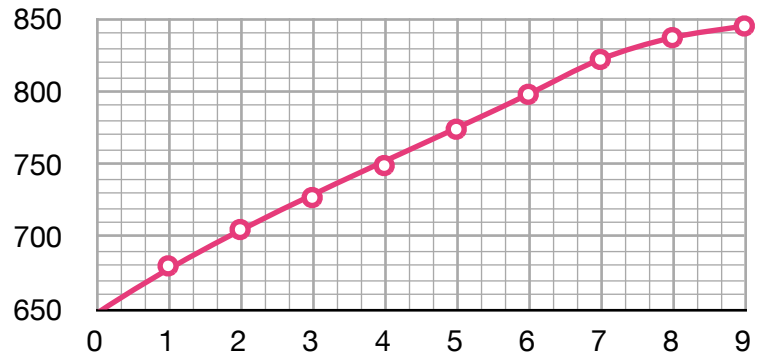


- use only supplied tuning tool
- actuate tuner carefully
- do not apply too much pressure or torque
- keep tuning tool coaxial
- tuner might not be perfectly orthogonal to box

rf return loss



Res. Frequency (MHz) vs. turns counter-clockwise



\* test wavelength: 671 nm

Date: