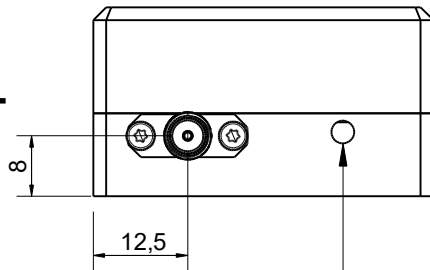
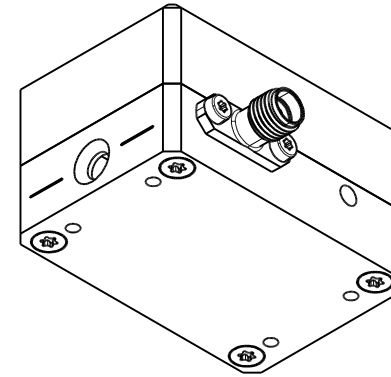
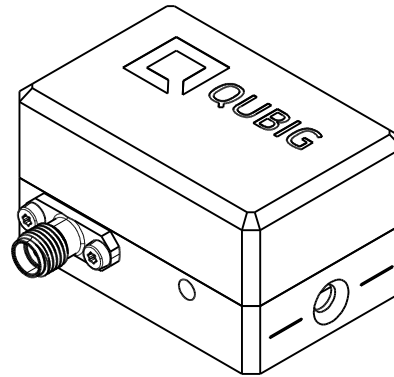
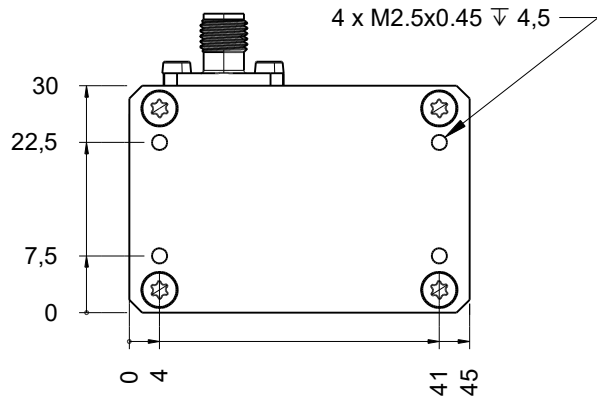
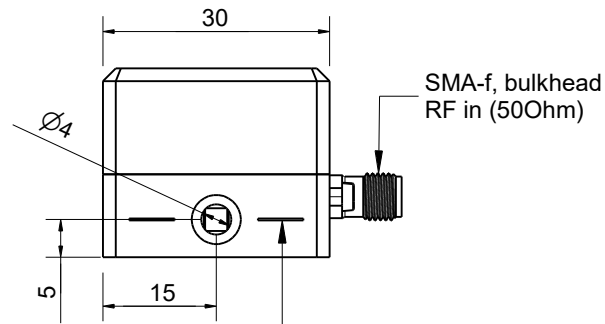


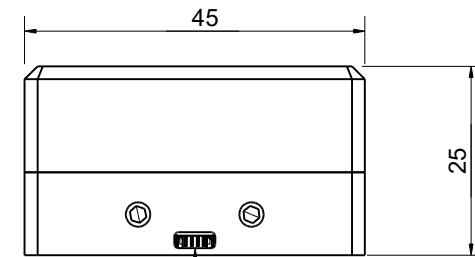
1	2	3	4	5	6	
		RevNo	Revision note	Date	Signature	Checked



Frequency tuning (optional)

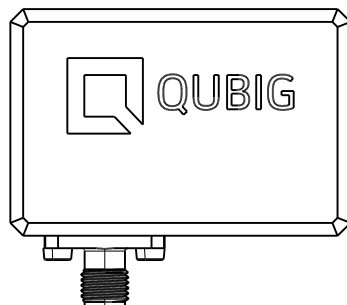


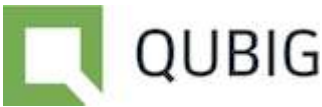
Markers indicate laser polarisation (linear!)



Temperature sensor (optional)
header: Amphenol, 10144042-04011LF
cable: JST, A04SUR04SUR32W152A

All dimensions in mm.



Itemref	Quantity	Title/Name, designation, material, dimension etc			Article No./Reference	
Drawn by ev	Checked by	Approved by - date	File name	Date 25.09.2020	Scale 1:1	
			EO.002.P01.00001_e PM+P		Edition	Sheet 1 von 1