

1

2

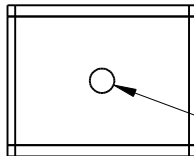
3

4

5

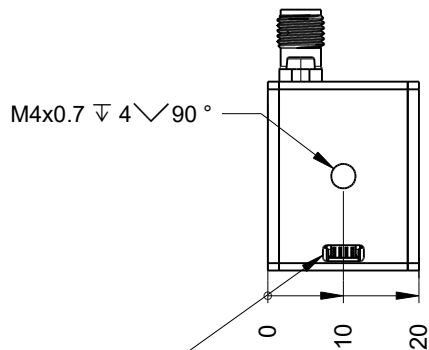
6

RevNo	Revision note	Date	Signature	Checked
-------	---------------	------	-----------	---------



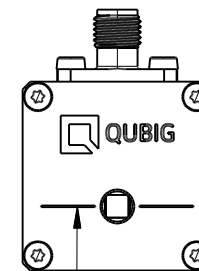
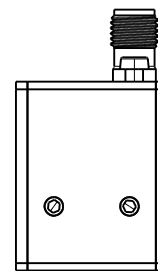
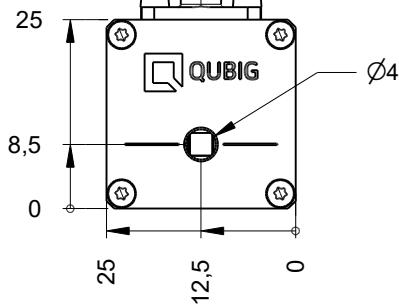
M4x0.7 ∇ 4 \sphericalangle 90°

RF in SMA-f, 50Ohm

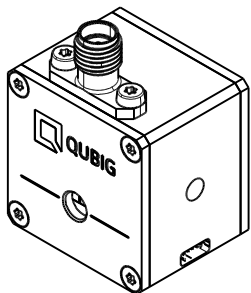
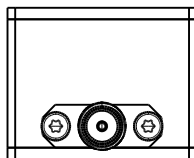


M4x0.7 ∇ 4 \sphericalangle 90°

Temperature sensor (optional)
header: Amphenol, 10144042-04011LF
cable: JST, A04SUR04SUR32W152A



Markers indicate laser polarisation (linear!)



Itemref	Quantity	Title/Name, designation, material, dimension etc			Article No./Reference	
Drawn by ev	Checked by	Approved by - date	File name	Date Dec. 17, 2020	Scale 1:1	



PM+P2+TC

Edition

Sheet

1 von 1

1

2

3

4

5

6