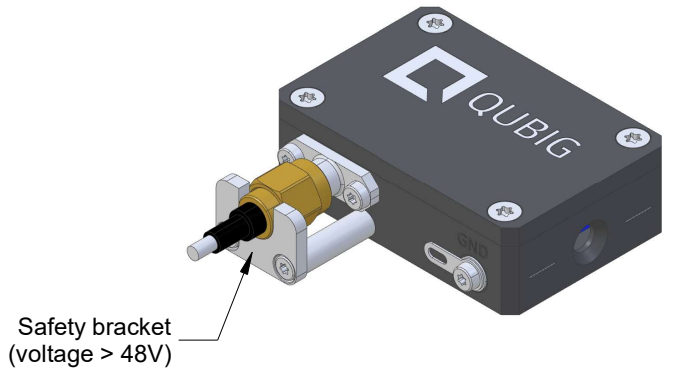
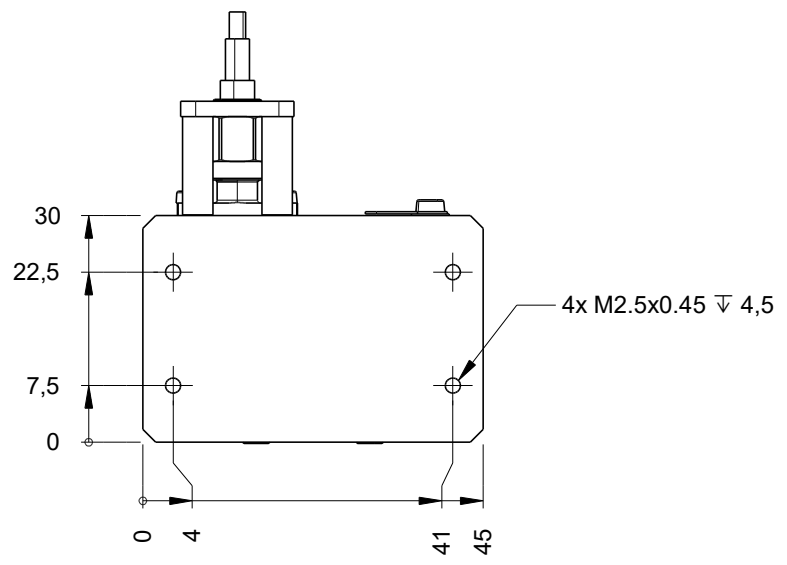


1 2 3 4 5 6

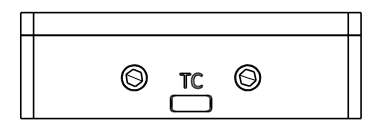
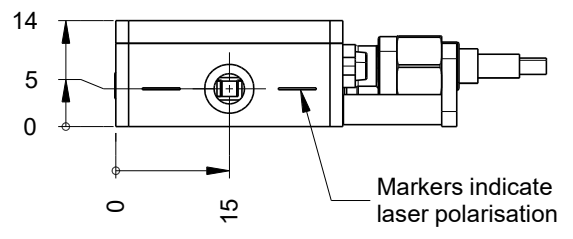
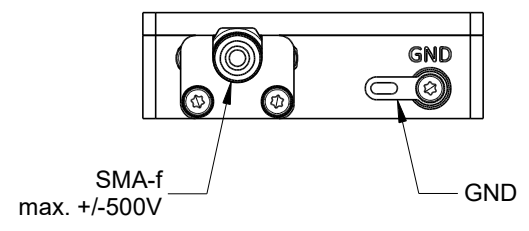
A

A



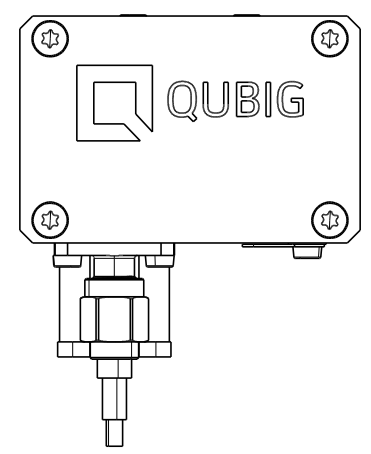
B

B



C

C



D

D

Drawn by M. Schwarzenboeck	Checked by M. Haug	Approved by E. Vogt	Date Aug. 18, 2020	A/N	Supplier A/N	Scale 1:1
		Title PSA+P				Sheet 1 / 1
		Part Number EO.002.P02.00001				

1 2 3 4 5 6